

11/15/2021 12:47 PM
 s:\projects\ph_tech_tech_incl\pbc-21-0908 - fbc submittal - s-7500, s-8750.dwg\series s-7500\pht001.dwg



PH TECH CORP.
 724 BRICKWORKS DRIVE
 LEETSDALE, PA 15056
 418-833-3231

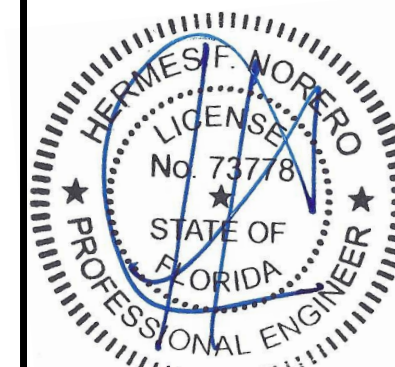
TITLE: PH TECH CORP
 S-7500 SLIDING PATIO DOOR
 (NON-HVHZ)(NON-IMPACT)
 ELEVATION AND ANCHOR LAYOUT

PREPARED BY: BUILDING DROPS, INC.
 398 E. DANIA BEACH BLVD., STE. 338
 DANIA BEACH, FL 33004
 PH: (954)399-8478
 FAX: (954)744-4738
 WEB: www.buildingdrops.com



REMARKS	BY	DATE

THE INSTALLATION DETAILS DESCRIBED HEREIN ARE GENERIC AND MAY NOT REFLECT ACTUAL CONDITIONS FOR A SPECIFIC SITE. IF SITE CONDITIONS CAUSE INSTALLATION TO DEVIATE FROM THE REQUIREMENTS DETAILED HEREIN, A LICENSED ENGINEER OR ARCHITECT SHALL PREPARE SITE SPECIFIC DOCUMENTS FOR USE WITH THIS DOCUMENT.



HERMES F. NORERO, P.E.
 FLORIDA P.E. No. 73778
 BUILDING DROPS, INC.
 398 E. DANIA BEACH BLVD. # 338
 DANIA BEACH, FL 33004
 FBPE CERT. OF AUTHORIZATION No. 29578

FL40257

DATE: **09.15.21**

DWG. BY: **AC** CHK. BY: **SM**

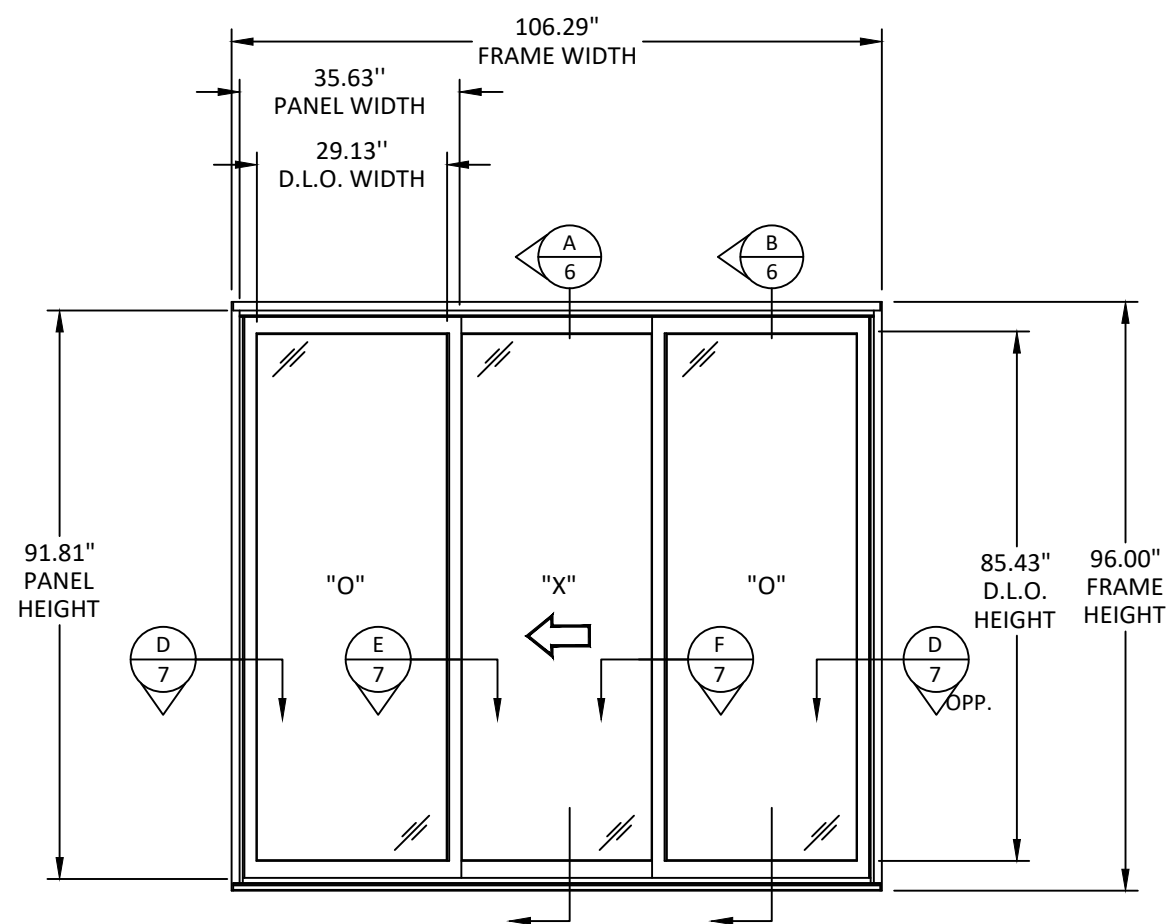
SCALE: **NTS**

DWG. #: **PHT001**

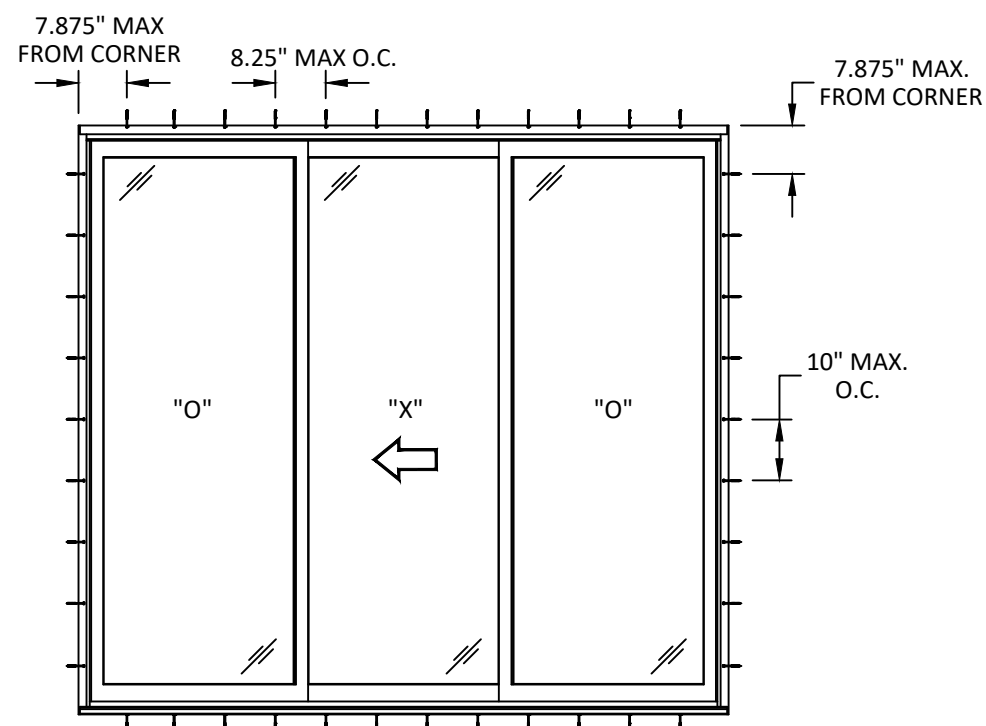
SHEET

3

OF 8

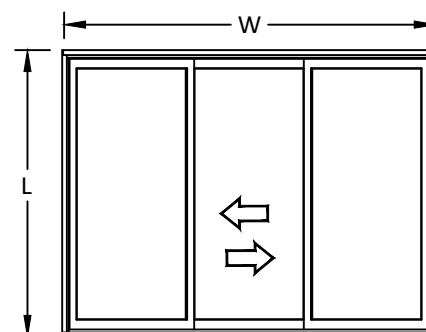


ELEVATION
SLIDING DOOR



ANCHOR LAYOUT
SLIDING DOOR
THROUGH FRAME

QUALIFIED CONFIGURATIONS



3 PANEL
OXO



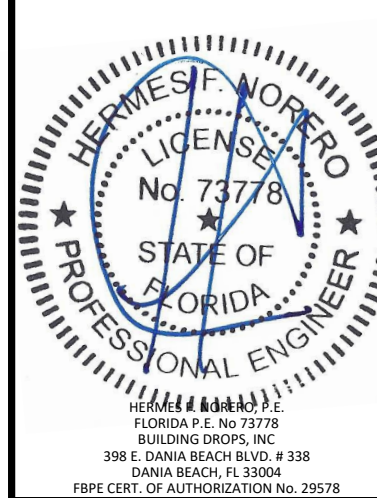
PH TECH CORP.
724 BRICKWORKS DRIVE
LEETSDALE, PA 15056
418-833-3231

TITLE: PH TECH CORP
S-7500 SLIDING PATIO DOOR
(NON-HVHZ)(NON-IMPACT)
ANCHOR DETAILS, ANCHOR SCHEDULE, &
INSTALLATION NOTES

PREPARED BY:
B.D.
BUILDING DROPS
398 E. DANIA BEACH BLVD., STE. 338
DANIA BEACH, FL 33004
PH: (954)399-8478
FAX: (954)744-4738
WEB: www.buildingdrops.com

REMARKS	BY	DATE

THE INSTALLATION DETAILS DESCRIBED HEREIN ARE GENERIC AND MAY NOT REFLECT ACTUAL CONDITIONS FOR A SPECIFIC SITE. IF SITE CONDITIONS CAUSE INSTALLATION TO DEVIATE FROM THE REQUIREMENTS DETAILED HEREIN, A LICENSED ENGINEER OR ARCHITECT SHALL PREPARE SITE SPECIFIC DOCUMENTS FOR USE WITH THIS DOCUMENT.



HERMES F. NORERO, P.E.
FLORIDA P.E. No. 73778
BUILDING DROPS, INC.
398 E. DANIA BEACH BLVD. # 338
DANIA BEACH, FL 33004
FBPE CERT. OF AUTHORIZATION No. 29578

FL40257

DATE: **09.15.21**

DWG. BY: **AC** CHK. BY: **SM**

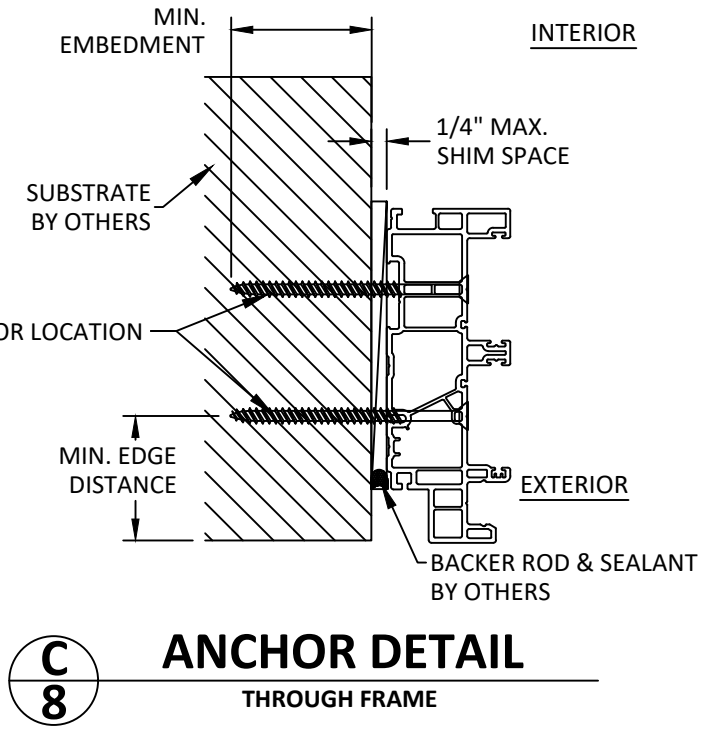
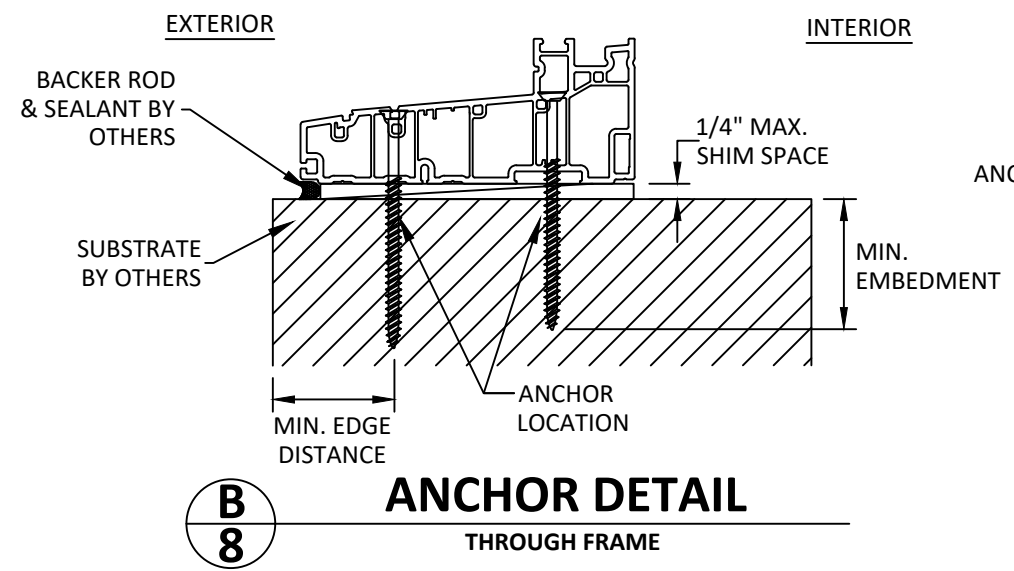
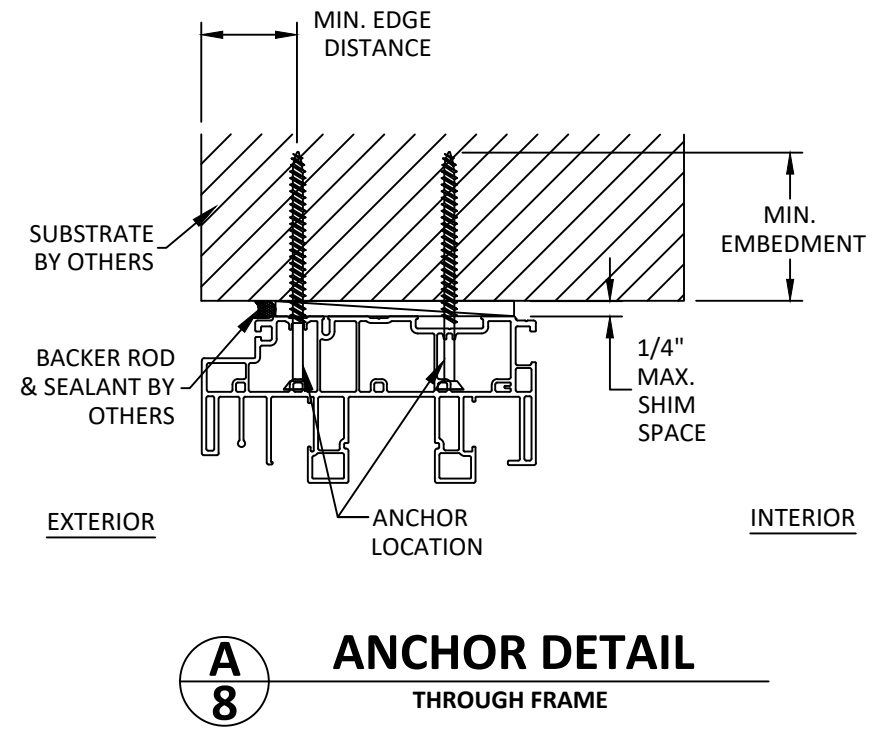
SCALE: **NTS**

DWG. #: **PHT001**

SHEET

8

OF 8



INSTALLATION NOTES:

- TWO (2) INSTALLATION ANCHORS ARE REQUIRED AT EACH ANCHOR LOCATION SHOWN.
- FOR MASONRY OR CONCRETE OPENINGS, A 1X WOOD BUCK MAY BE USED (OPTIONAL) AS LONG AS THE MINIMUM EMBEDMENT AND EDGE DISTANCE REQUIREMENTS ARE STILL MET WITHIN THE CORRESPONDING HOST SUBSTRATE. SEE GENERAL NOTE #3 ON SHEET 1 FOR MORE INFORMATION.
- THE NUMBER OF INSTALLATION ANCHORS DEPICTED IS THE MINIMUM NUMBER OF ANCHORS TO BE USED FOR PRODUCT INSTALLATION OF THE MAXIMUM SIZE LISTED.
- INSTALL INDIVIDUAL INSTALLATION ANCHORS WITHIN A TOLERANCE OF ±1/2 INCH THE DEPICTED LOCATION & SPACING IN THE ANCHOR LAYOUT DETAILS (I.E., WITHOUT CONSIDERATION OF TOLERANCES). TOLERANCES ARE NOT CUMULATIVE FROM ONE INSTALLATION ANCHOR TO THE NEXT.
- SHIM AS REQUIRED AT EACH ANCHOR LOCATION WHERE SPACE BETWEEN PRODUCT AND STRUCTURE IS 1/16 INCH OR GREATER. MAXIMUM ALLOWABLE SHIM STACK IS NOT TO EXCEED 1/4 INCH. ALL SHIMS ARE TO BE LOADED BEARING, HIGH DENSITY PLASTIC OR BETTER.
- MINIMUM EMBEDMENT AND EDGE DISTANCE EXCLUDE WALL FINISHES, INCLUDING BUT NOT LIMITED TO STUCCO, FOAM, BRICK VENEER, AND SIDING.
- INSTALLATION ANCHORS AND ASSOCIATED HARDWARE MUST BE MADE OF CORROSION RESISTANT MATERIAL OR HAVE A CORROSION RESISTANT COATING.
- FOR HOLLOW BLOCK AND GROUT FILLED BLOCK, DO NOT INSTALL INSTALLATION ANCHORS INTO MORTAR JOINTS. EDGE DISTANCE IS MEASURED FROM FREE EDGE OF BLOCK OR EDGE OF MORTAR JOINT INTO FACE SHELL OF BLOCK.
- INSTALLATION ANCHORS SHALL BE INSTALLED IN ACCORDANCE WITH ANCHOR MANUFACTURER'S INSTALLATION INSTRUCTIONS, AND ANCHORS SHALL NOT BE USED IN SUBSTRATES WITH STRENGTHS LESS THAN THE MINIMUM STRENGTH SPECIFIED BY THE ANCHOR MANUFACTURER.

ANCHOR SCHEDULE				
METHOD	SUBSTRATE	ANCHOR	MIN. EMBEDMENT	MIN. EDGE DISTANCE
THROUGH FRAME	2X WOOD MIN. S.G.= 0.55	#10 WOOD SCREW	1.500"	0.750"
	GROUT FILLED CMU PER ASTM C-90 W/ MIN. f'c=2,000 PSI	3/16" ITW TAPCON (CARBON OR STAINLESS STEEL)	1.000"	2.500"
	CONCRETE W/ MIN. f'c = 3,000 PSI		1.250"	2.500"
	METAL: 18 GAUGE STEEL, MIN. Fy = 33 KSI	#10-24 GR. 5 SMS OR SELF-DRILLING SCREW	3 THREADS MIN PENETRATION BEYOND METAL	0.750"

11/15/2021 12:47 PM
s:\projects\ph_tech_tech\inc\fbz-21-0908-fbc\submit\ph_tech_s-7500.dwg\series s-7500\pht001.dwg